

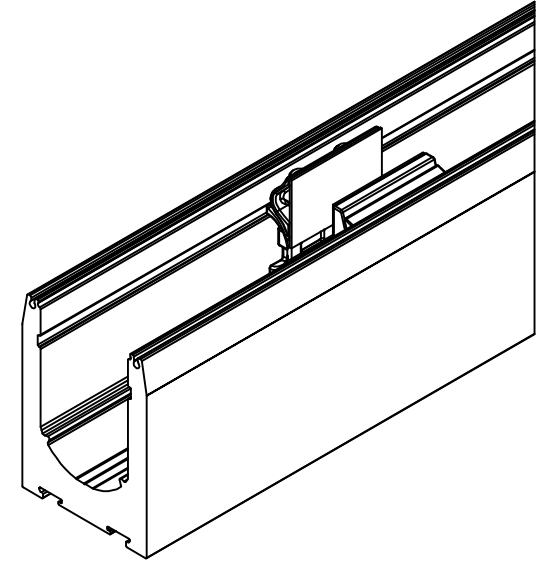
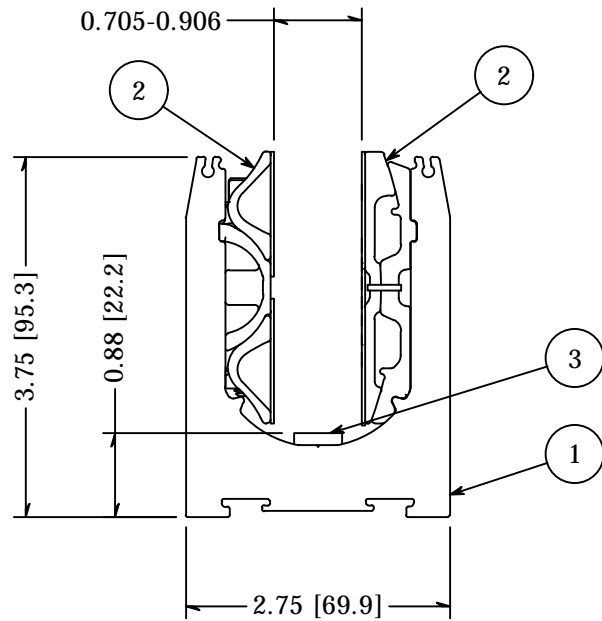
2



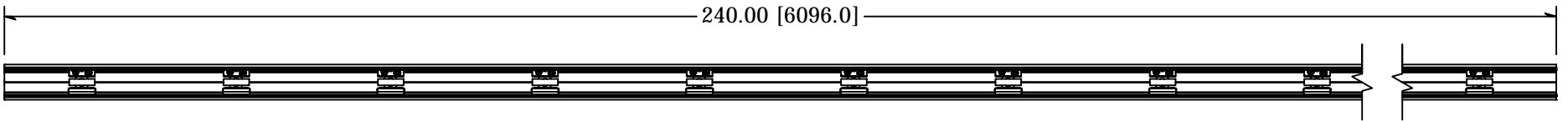
1

PARTS LIST

ITEM	QTY	PART NUMBER	DESCRIPTION
1	1	GR2LL5075HCB	Shoe Moulding, Aluminum, Level lock Plus, For .5 to .75 Glass, 2.75 Wide, 3.75 High, 20 Foot Lengths, Hole Counterbored, 12 in on Center, Mill Finish
2	2	LL3421	Level Lock Plus, Mechanism 10 Pack, for 3/4" Nominal Glass, .705-.906"
3	2	GR9LL1250	Shoe Isolator, Level Lock +, HDPE, 0.125 x 0.50 x 2.00, 10 pack

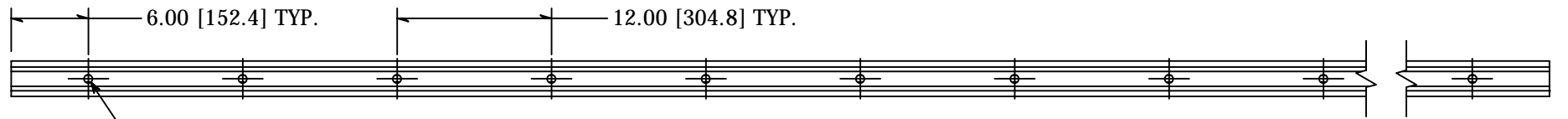


240.00 [6096.0]



6.00 [152.4] TYP.

12.00 [304.8] TYP.

(20) Ø0.63 THRU
□ Ø1.13

TOLERANCE X.XX +/- 0.01 X.XXX +/- 0.005 Angle +/- 0.5 Unless Otherwise Specified	CUT LENGTH:	FINISH:	DESCRIPTION:	
	DEVELOPED LENGTH:	WEIGHT:	MATERIAL:	MATERIAL DESC:
	20FT	N/A	DATE:	REV:
	TOOL NUMBER:		4/8/2021	1
			Level Lock Plus, Sales kit, for 3/4", 19mm-21mm glass, 20ft shoe HCB, W/ Mechanisms A. Seeboth PART NUMBER: LL3421KIT20	
			10600 W Brown Deer Rd Milwaukee, WI 53224 COLLABORATIVE METALWORKS http://www.wagnercompanies.com/	

2



1